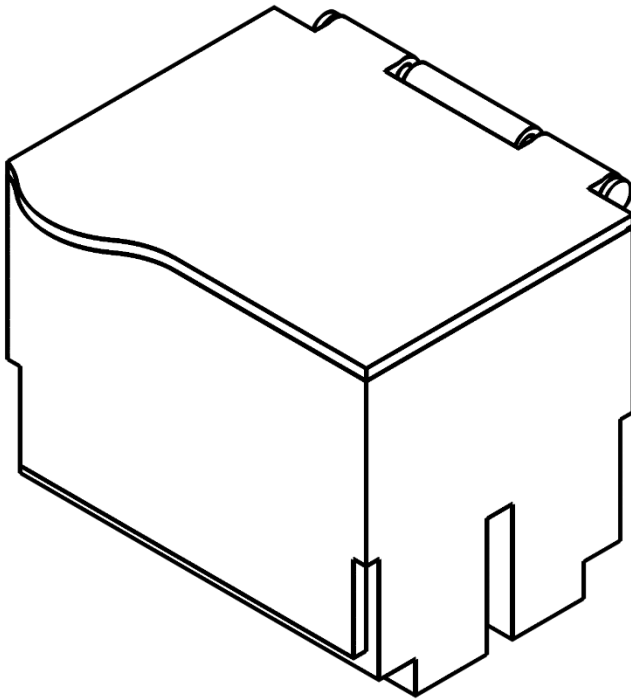


traplink**G**d

innovating pest control



JERRY

Bedienungsanleitung

Content of your traplinked order

JERRY Module

Quantity	
WiFi connectivity	
LoRa-connectivity	

Mobile WiFi router

Quantity	
Preconfigured	

LoRa-Gateway

Quantity	
----------	--

WiFi-repeater

Quantity	
Preconfigured	

Carrying case

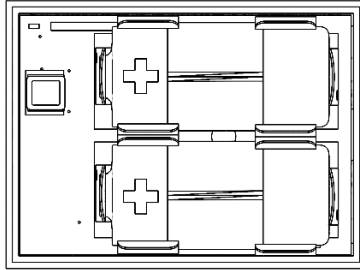
Quantity	
----------	--

Snap trap tunnel

Mouse trap	
Rat trap	

Safety measures in handling accumulators & batteries

- Keep accumulators and batteries out of reach of children!
- Only use accumulators or batteries of type CR 16340 for this device.
- Follow local laws and regulations when disposing of electrical equipment or batteries.
- Insert the batteries only in the same direction as shown below.



Positive pole always in direction of the switch!

Please remember that failure to follow these instructions will void the warranty. In your own interest, handle lithium-ion batteries carefully and not carelessly!

Handling Precautions

- Even if the function of this device is not impaired, the inserted batteries should be recharged at least every two years.
- Batteries should be replaced at least every three years. An empty battery can leak, damage the device and release toxins!
- Do not store or use the device in particularly dusty, humid places or under extreme temperatures.
- Never try to disassemble the device!
- Avoid shocks and do not drop the device.
- For cleaning, use a soft, damp cloth and never clean the inside of the appliance!



Table of contents

p. 05	Getting ready for operation
p. 06	Overview: Device operation
p. 07	Operation with mobile WIFI router
p. 08	Operation in previously used WIFI network
p. 09	Manual setup (WIFI)
p. 10	Setting up a LoRa Gateway
p. 11	Connecting to a LoRa Gateway
p. 12	LED-Feedback & Troubleshooting
p. 13	Function & handling during operation

Dear customer,

Thank you for purchasing the traplinked JERRY module!

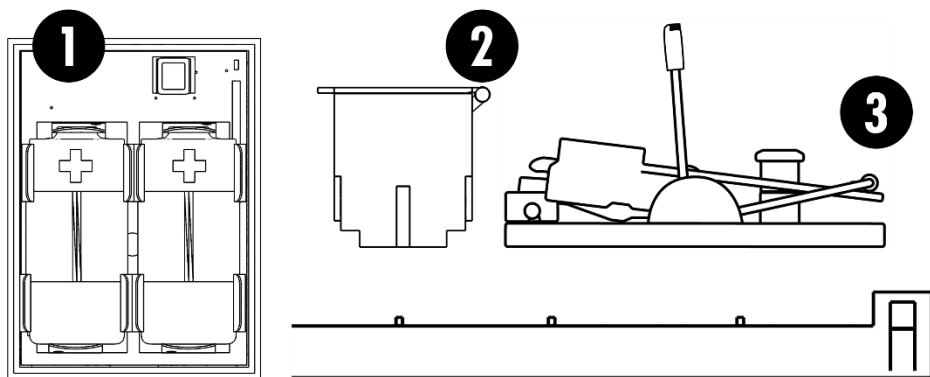
Jerry extends commercially available snap trap tunnels to intelligent trap systems. The module reports the release status of the traps using the traplinked app or web view in your desktop browser.

Are you a new customer? Then you will find your access data enclosed in your package. You can find more information about the product at www.traplinked.de.

Getting ready for operation

First commissioning after receiving the package

The JERRY modules are delivered ready for operation with charged batteries. To protect the batteries from discharging during transport, there is a colored insulating strip between the battery and the holder. It must be removed before commissioning.



Assembly from individual parts

We always deliver JERRY trap systems fully assembled. However, after cleaning, charging the battery and installing spare parts, proceed as follows:

1. Insert the batteries carefully. Make sure that the positive pole of both batteries points in direction of the switch.
2. Place the JERRY module in the center of the trap tunnel.
3. Insert the snap traps. Note that they should not be under tension if you want to set up the device again.

Device operation

WiFi enabled devices (all)

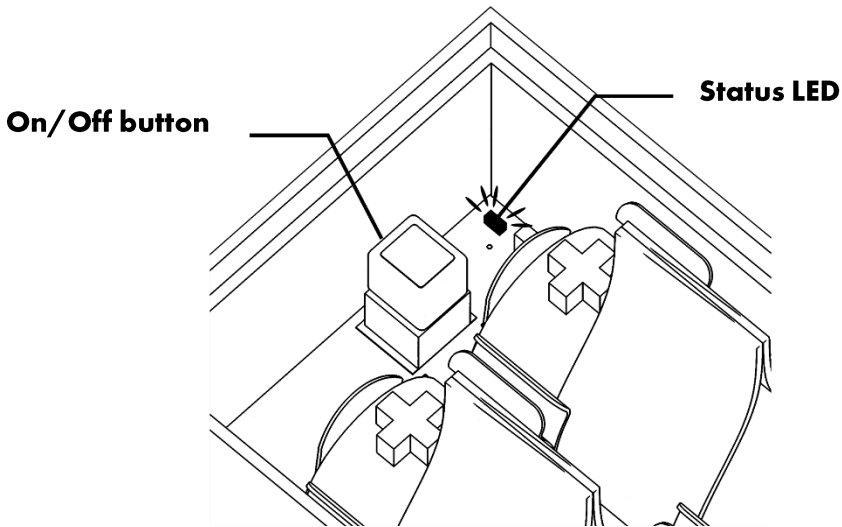
- If you have received the JERRY module with a mobile WiFi router, it is already set up. Please read "Operation with mobile WLAN router" on page 07.
- If you have previously set up the JERRY module in a WiFi network that you want to reuse, see "Operation in previously used WiFi" on page 08.
- If you want to set up a JERRY module in a new WiFi network, see "Manual Setup (WiFi)" on page 09.

LoRa-enabled devices (identified by the "LoRa connectivity" sticker; figure below)

- If you want to set up a new LoRa-Gateway, see "Setting up a LoRa-Gateway" on page 10.
- If you want to establish a new connection to a LoRa Gateway, see "Establishing a connection to a LoRa Gateway" on page 11.



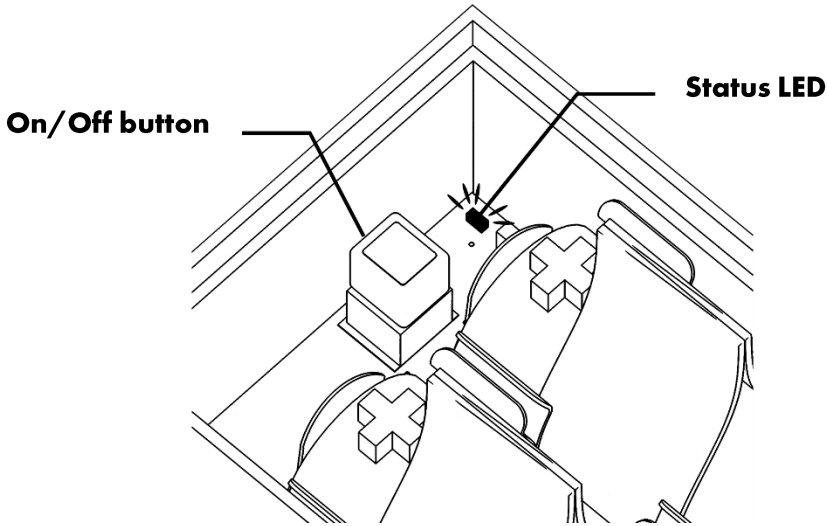
Operation with mobile WIFI router



1. Insert a SIM card into the mobile WIFI router if necessary and switch it on. Wait until the Internet connection is established.
2. Tighten the snap traps.
3. Make sure that the JERRY module is firmly positioned in the tunnel.
4. Open the cover of the module.
5. Operate the on/off switch inside the module.
6. The LED starts flashing every second after a successful system start until the connection to the router is established.

If the flash intervals become shorter, the WIFI router could not be found. Make sure that the router is within radio range of the JERRY module and restart the JERRY module. If this does not work, please carry out a manual setup (see p. 09).

Operation in previously used WIFI network



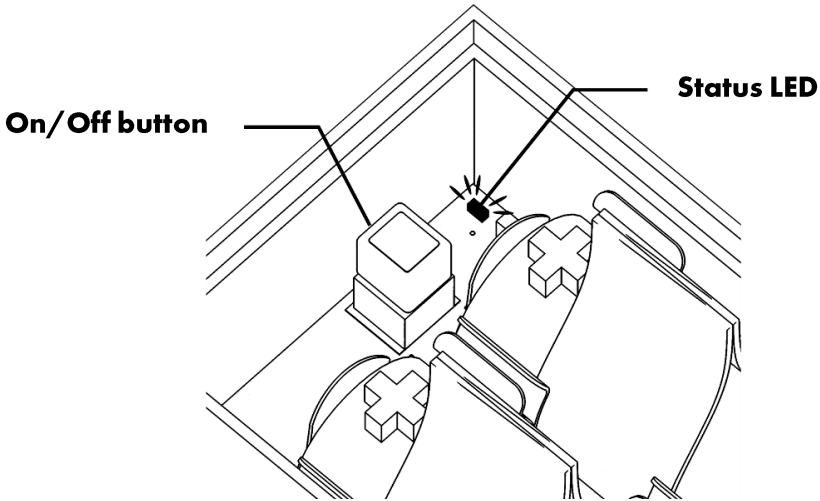
The traplinked JERRY module supports the storage of the login data of up to 20 WIFI networks. After switching on the JERRY module with the traps in place, it first checks whether it can reach one of the 20 stored networks.

1. Tighten the slap traps.
2. Make sure that the JERRY module is firmly inserted into the tunnel.
3. Open the cover of the module
4. Operate the on/off switch inside the module.

The LED starts flashing every second after successful system start until the connection to the router is successful.

If the flashing becomes faster, the WIFI router could not be found. Make sure that the router is within radio range of the JERRY module and restart the JERRY module. If this does not work, please carry out a manual setup (see p. 09).

Manual setup (WIFI)

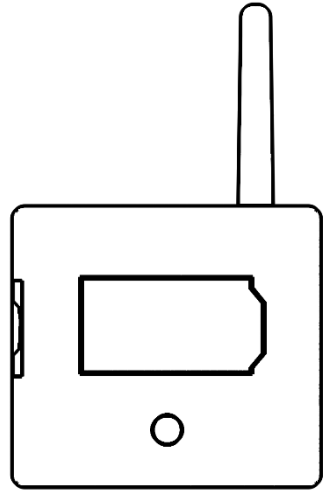


1. Make sure that the snap traps are **not tensioned**.
2. Connect your smartphone to the WIFI network in which the JERRY module will later be installed. Important: **Only 2.4 GHz networks** can be used!
3. Open the module lid and operate the on/off switch inside the housing
4. Start the traplinked app
5. Start the setup by clicking the "Menu" button (bottom right) and "Setup Systems".
6. Enter the WIFI password again and press "Next".
7. Tighten the snap traps.
8. Press "quick setup" and wait for the process.

After successful setup, find the device in "Systems". If setup fails, make sure that the WIFI network has the required 2.4 GHz frequency band and that the JERRY module is within signal range.

Setting up a LoRa Gateway

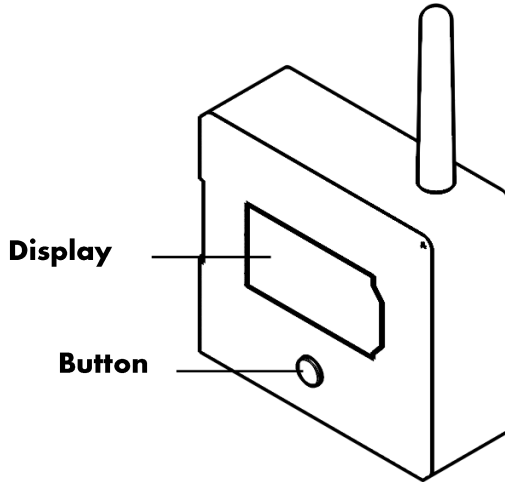
If you have purchased a LoRa Gateway and matching JERRY modules (easily recognizable by the "LoRa connectivity" sticker on the top of the tunnel), you can use the LoRa connection, which can extend the communication distance of your systems up to 1.5 km. In principle, however, all JERRY modules can also be used with conventional WIFI!



1. Place the LoRa Gateway as centrally as possible in the area to be covered.
2. Make sure that the gateway has a vertical ("upright") orientation (antenna up) for best possible radio reception.
3. Connect the gateway to the power supply with a micro-USB cable.
4. When the word "Initializing" appears on the display, set up the gateway as if it were a JERRY module, as described in section "Manual Setup (WIFI)" on page 09 - with the exception of the tensioning of snap traps described there.

After successful setup the display shows "Heartbeat". Now you can connect LoRa capable modules to the gateway.

Connecting to a LoRa Gateway



1. Keep the button of the LoRa Gateway pressed until the text "Setup" appears on the display.
2. You will have 60 seconds from the appearance of the lettering to connect a JERRY module.
3. Switch on the JERRY module using the on/off switch inside the module. Please note that the snap traps must NOT be tensioned!

The JERRY modules will now flash irregularly until the connection to the LoRa gateway is successful.

4. Repeat the first three steps with one JERRY module each until all modules are connected to the gateway.

Note: Changing the heartbeat time of the JERRY module can only be done in WIFI mode. If you want a heartbeat time different from the pre-configured 6 hours, you have to change it in the device settings before connecting the module to a LoRa gateway.

LED-Feedback & Troubleshooting

The LED represents the interface of the module hardware. The flashing and different flashing codes give you information about the status of the device.

LED-Code	Mode
Every second	Connection setup
Fast flashing	Setup mode
Irregular	LoRa connection (setup)
Continuous light	Update active

In addition, the LED flashes briefly if a triggering of a snap trap, but also the subsequent tensioning of the snap trap has been correctly detected.

Function and handling during operation

Standby (switched on and connected)

When the JERRY module is set up, you will be informed about its status in the app, but also (after configuration) via SMS and e-mail. This includes the triggering and tensioning of traps, reboot, configuration, battery status and connection errors.

Triggering of the trap

You will be informed about the occurrence of harmful rodents within the interval you specify. In this case, the App will instruct you to immediately tension the trap in accordance with the law.

After you have removed the carcass, simply re-tension the snap trap. The state should change automatically in the app shortly afterwards.

Updates

The JERRY module carries out remote-controlled and independent updates that improve and expand the range of functions. Human intervention is not required for this. Please do not switch off the device while the update (continuous illumination of the LED) is active.